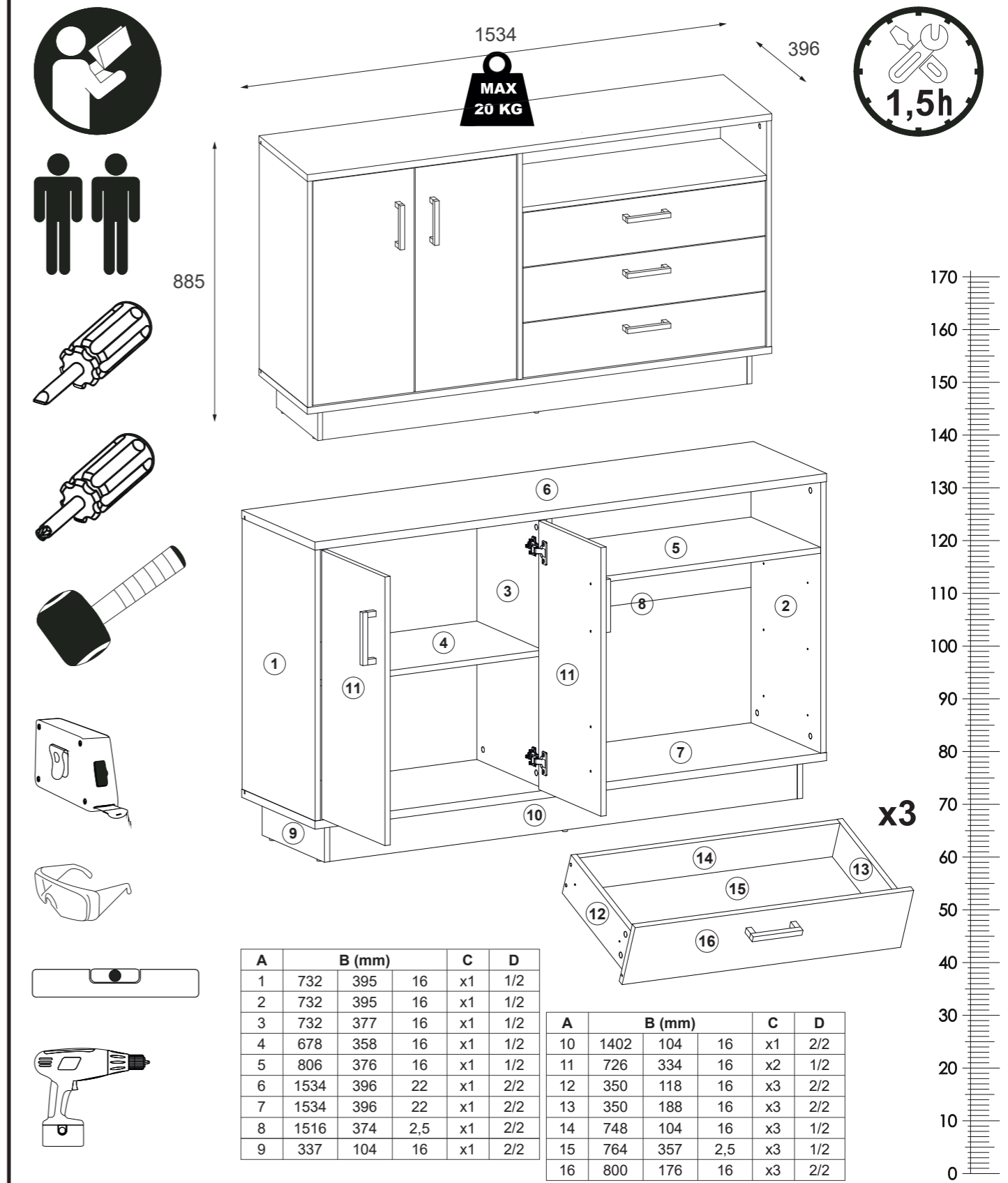
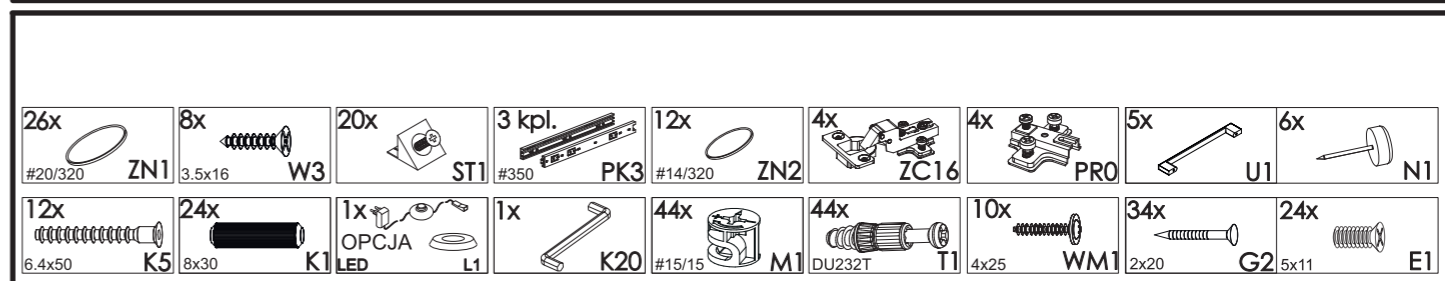


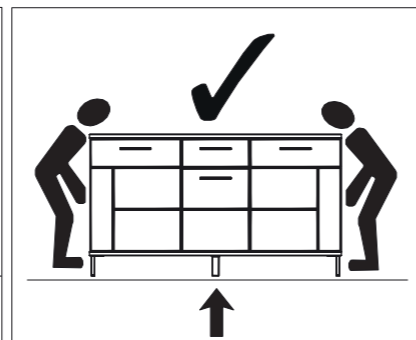
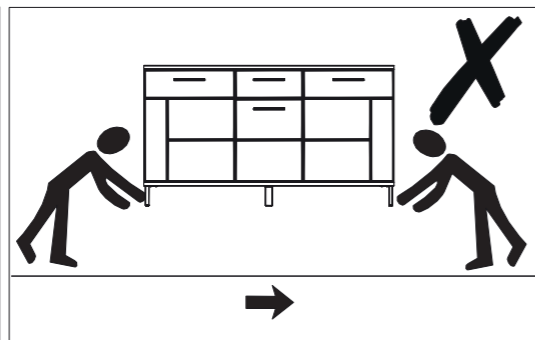
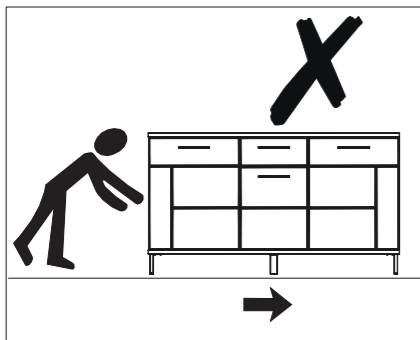
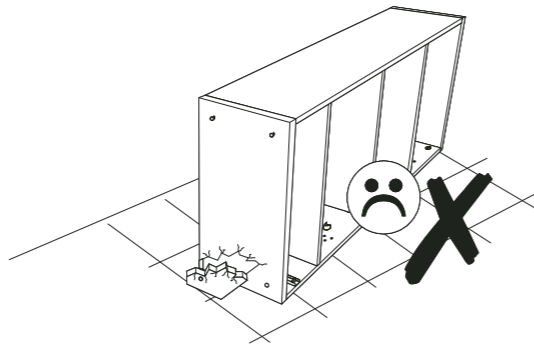
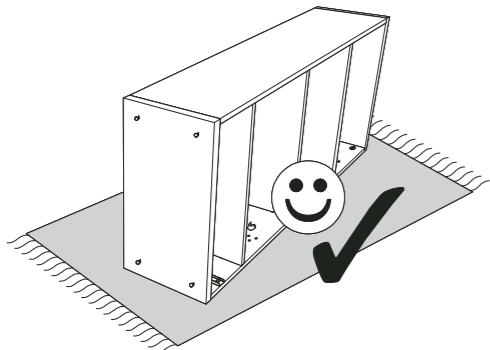
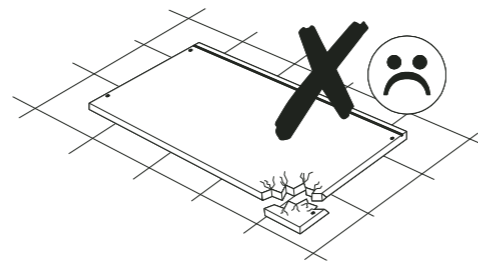
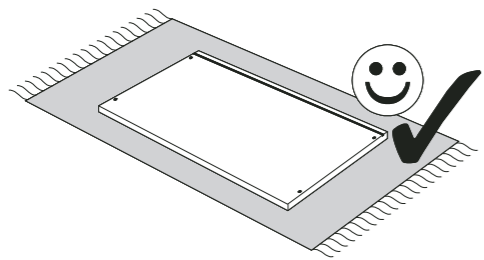
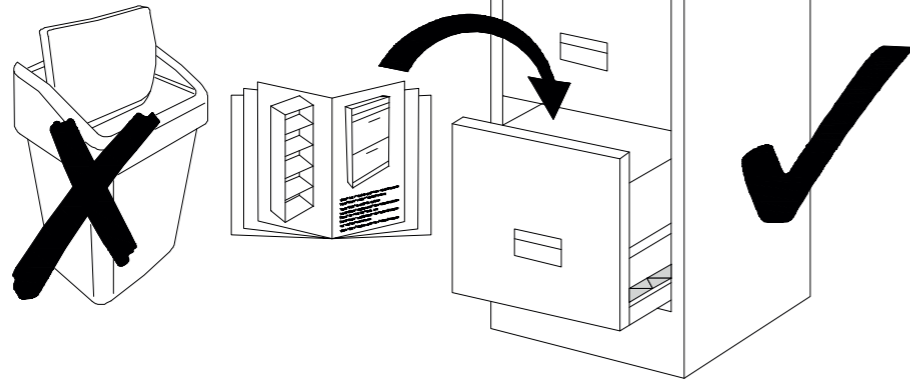
MODELL: CN3



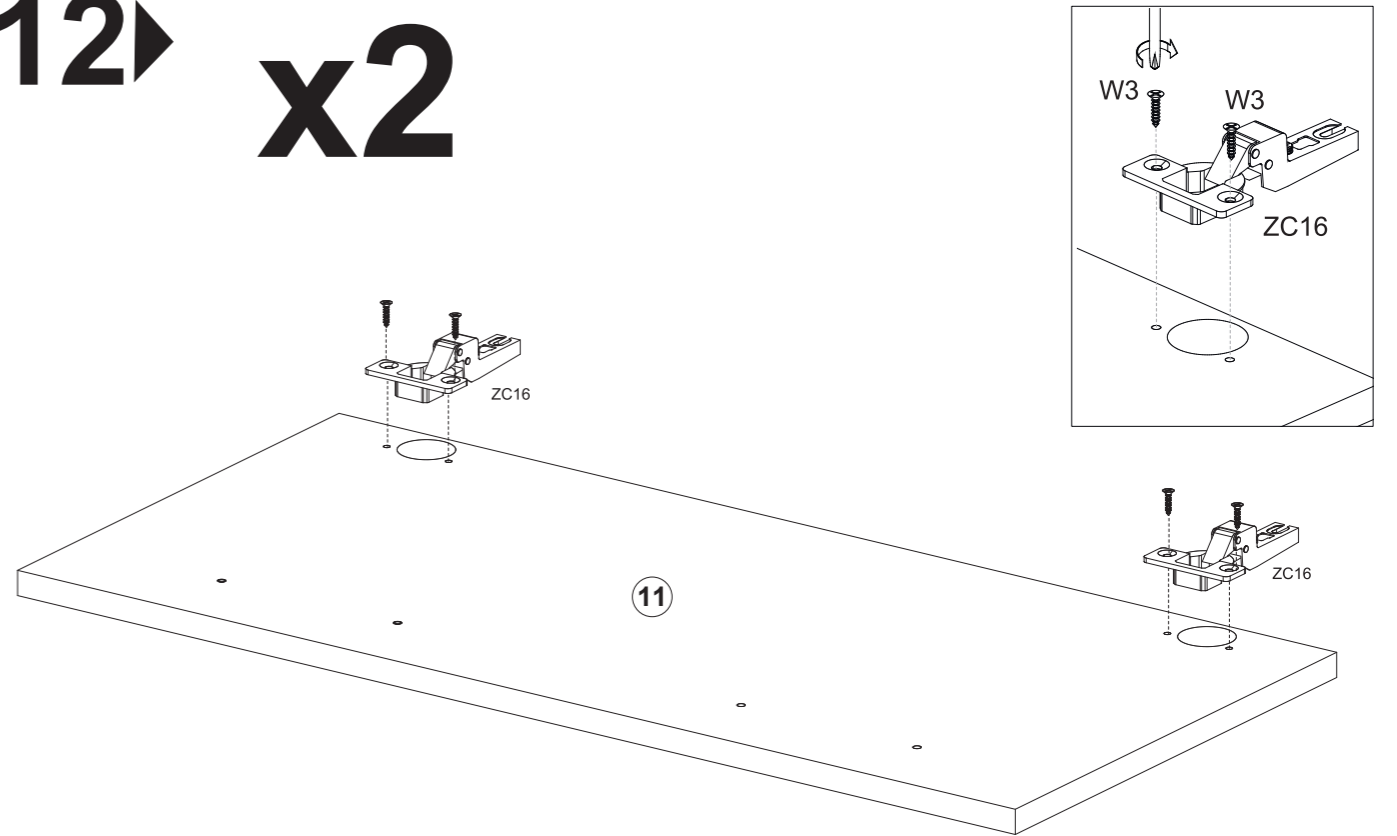
A	B (mm)		C	D
1	732	395	16	x1 1/2
2	732	395	16	x1 1/2
3	732	377	16	x1 1/2
4	678	358	16	x1 1/2
5	806	376	16	x1 1/2
6	1534	396	22	x1 2/2
7	1534	396	22	x1 2/2
8	1516	374	2,5	x1 2/2
9	337	104	16	x1 2/2

A	B (mm)		C	D
10	1402	104	16	x1 2/2
11	726	334	16	x2 1/2
12	350	118	16	x3 2/2
13	350	188	16	x3 2/2
14	748	104	16	x3 1/2
15	764	357	2,5	x3 1/2
16	800	176	16	x3 2/2

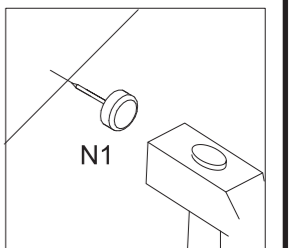
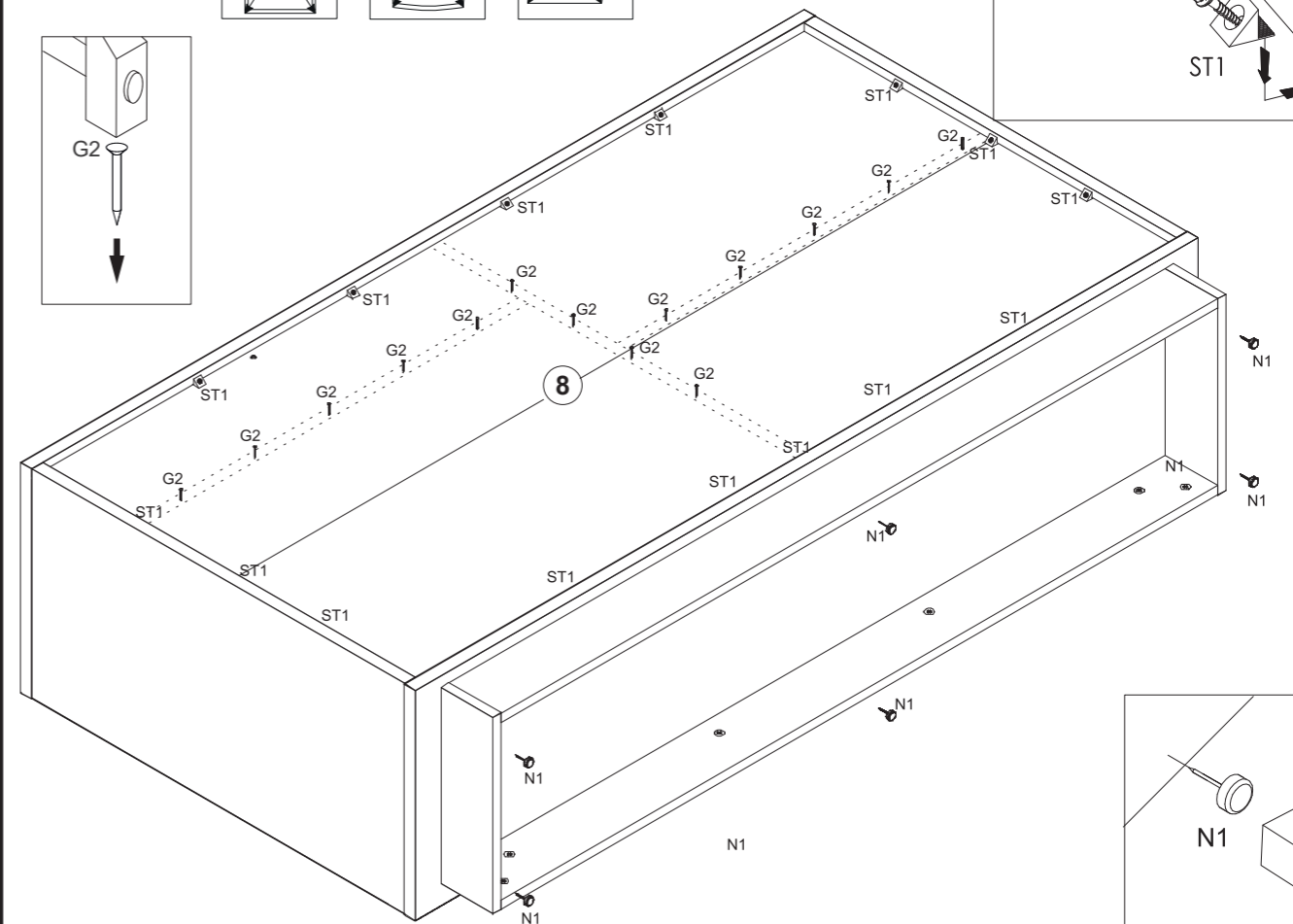
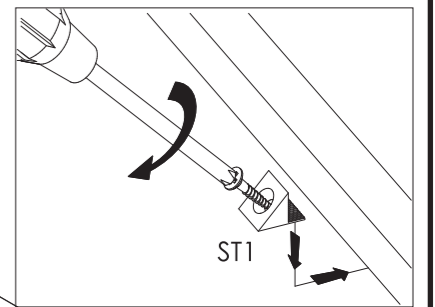
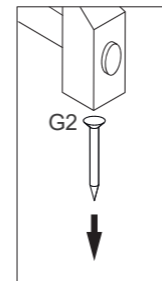
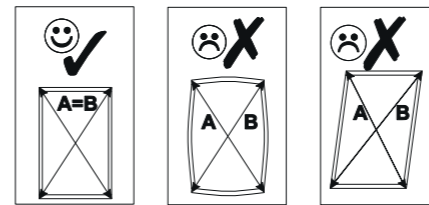




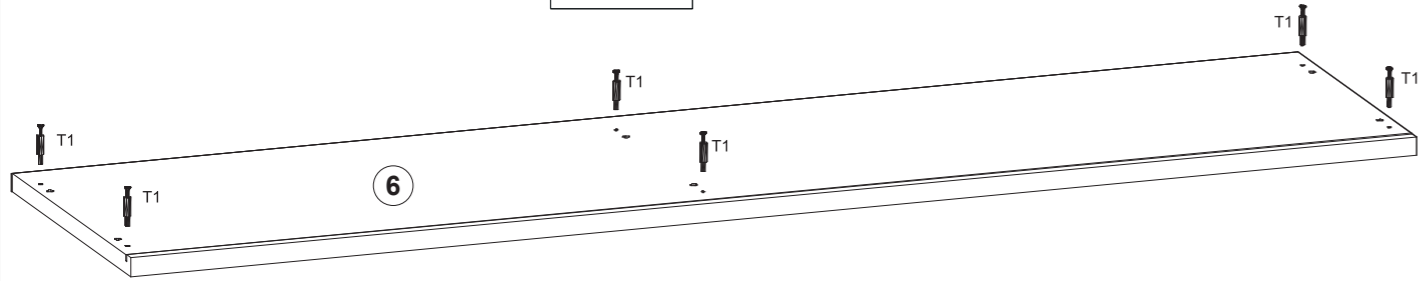
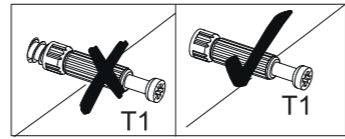
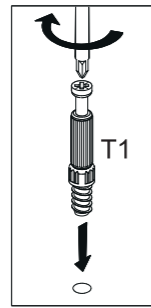
12 **x2**



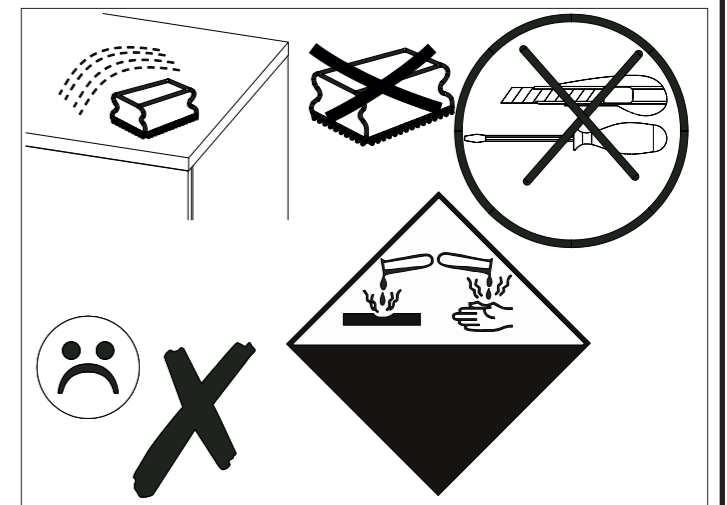
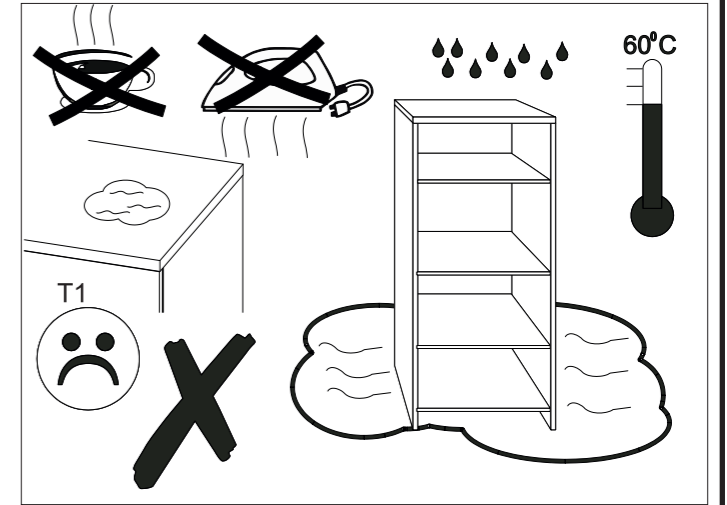
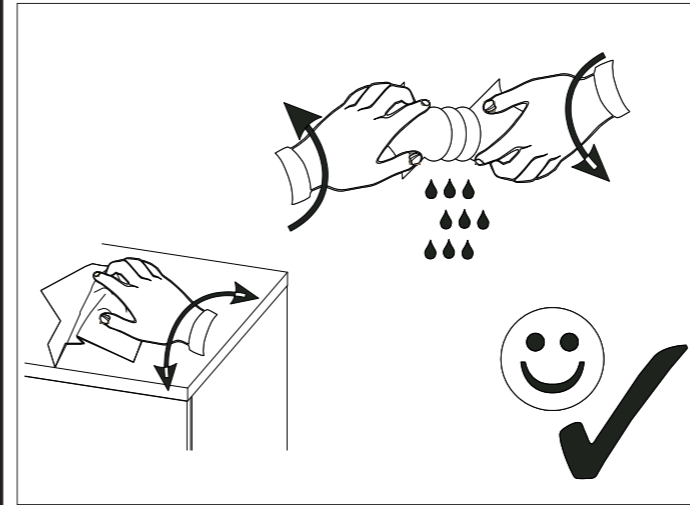
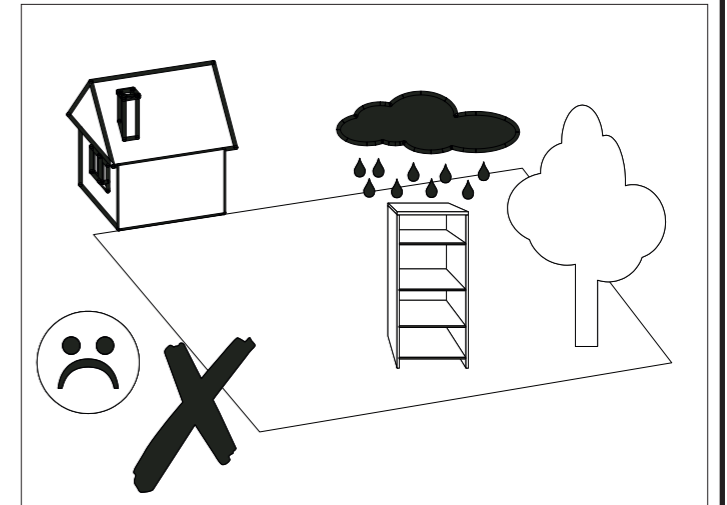
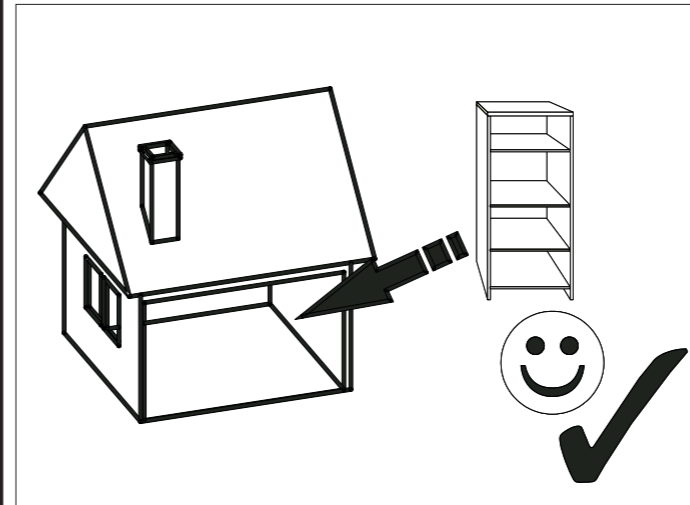
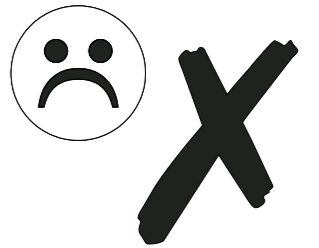
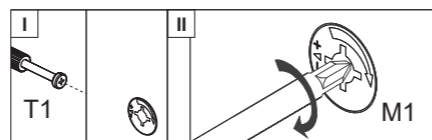
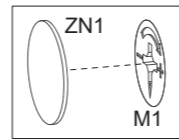
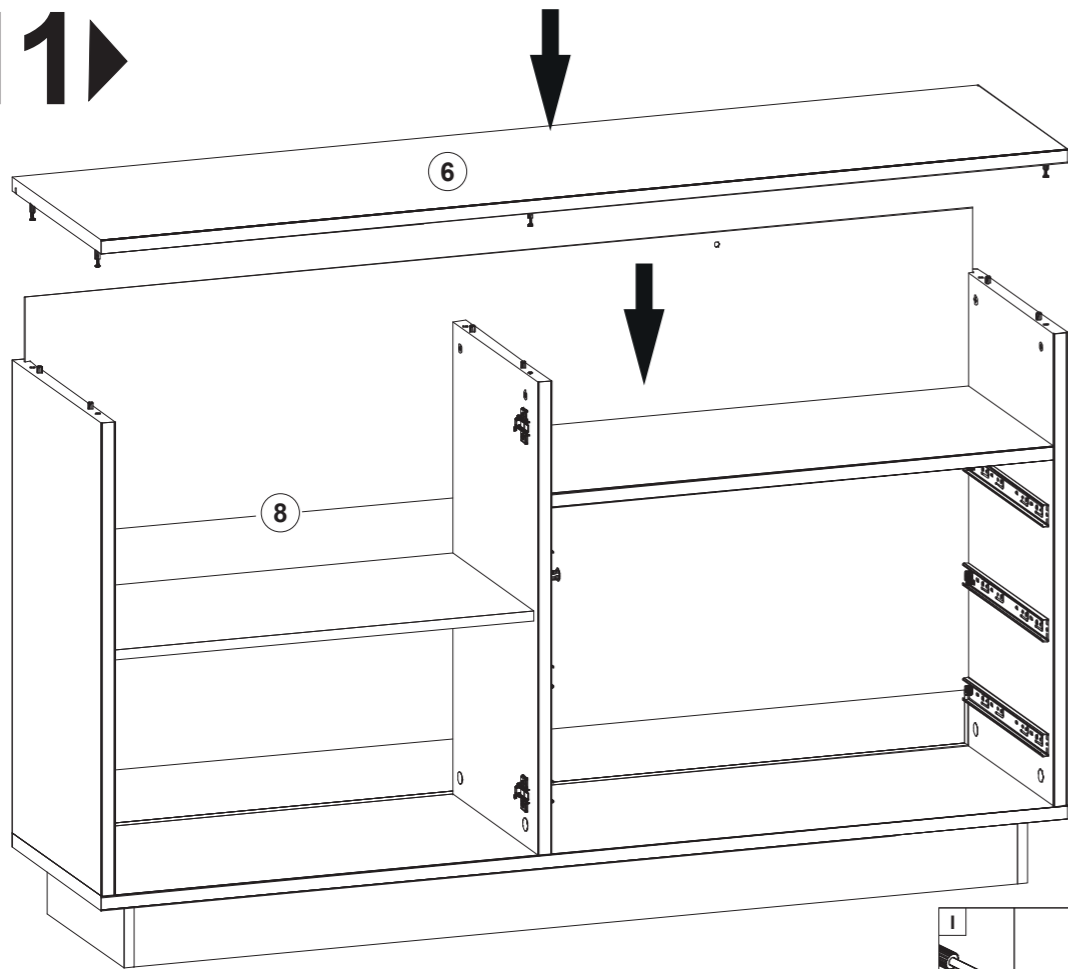
13

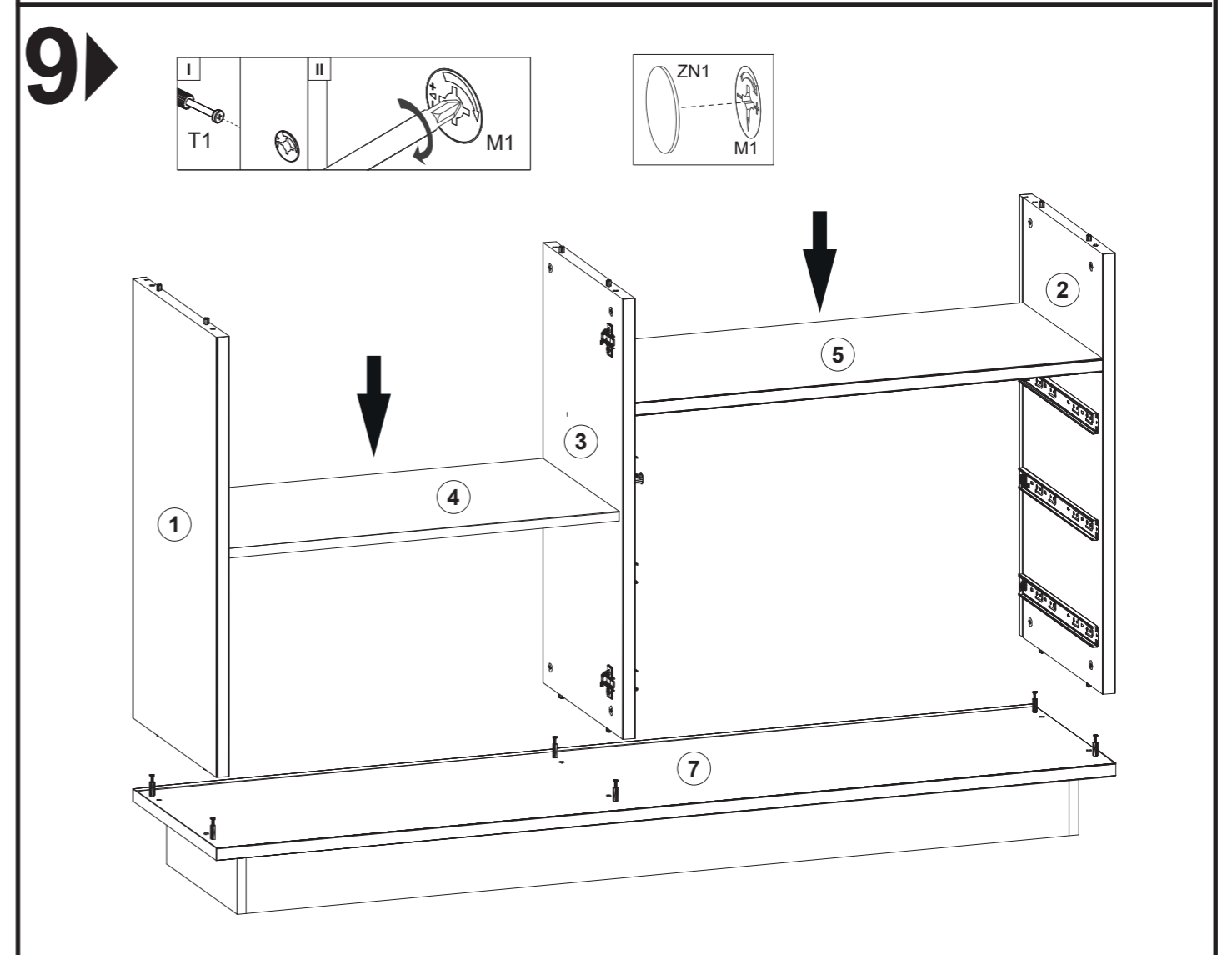
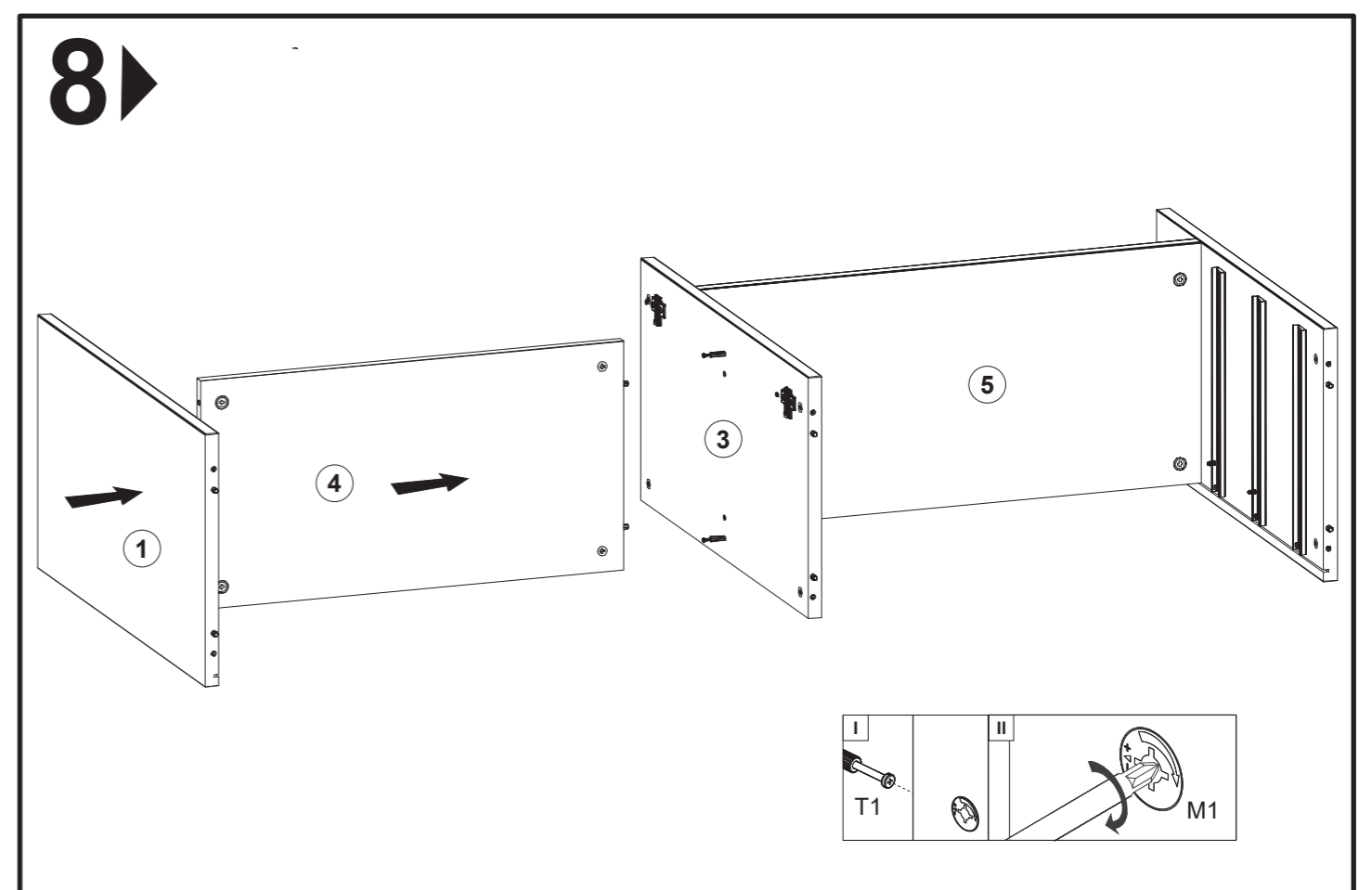
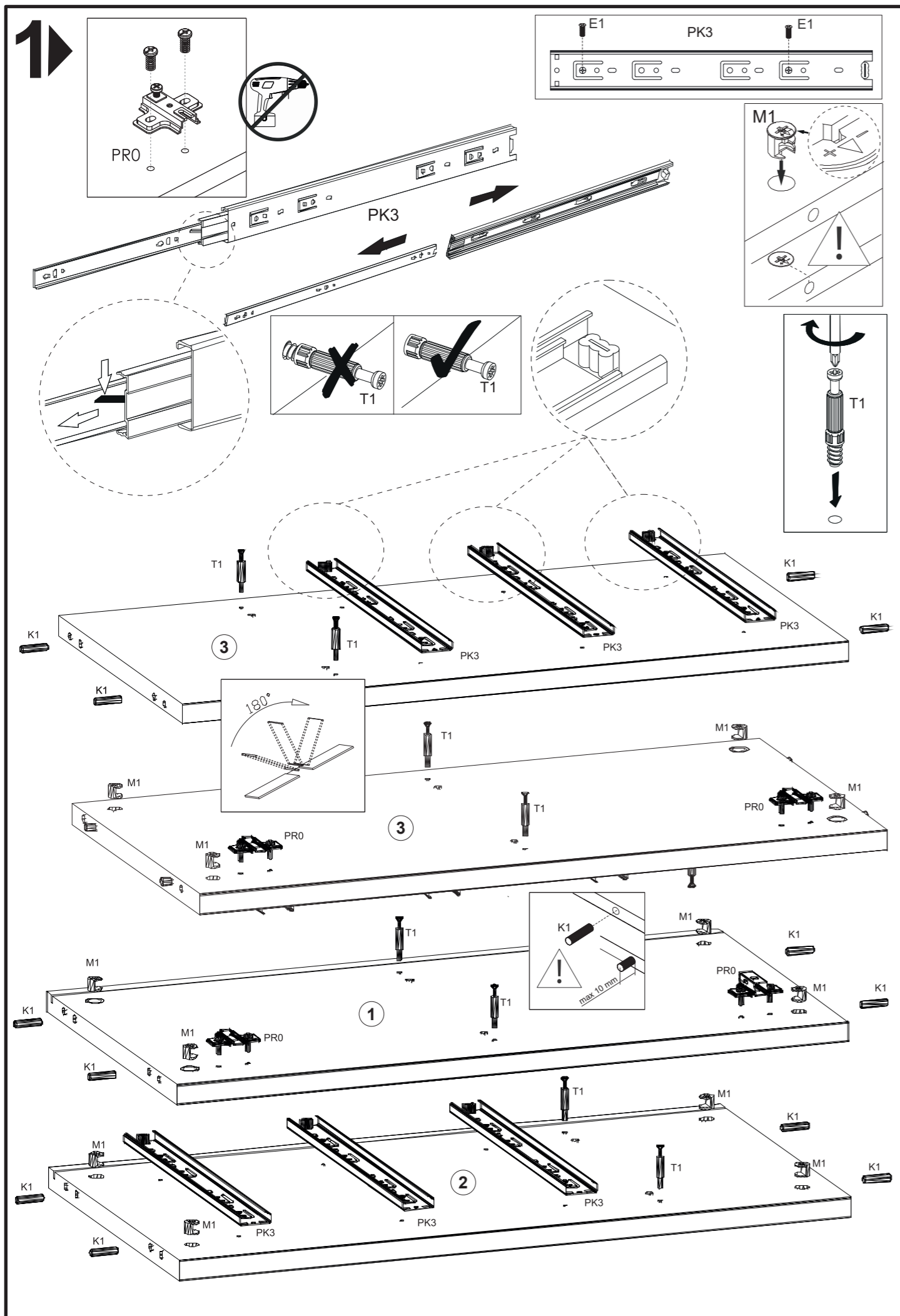


10▶



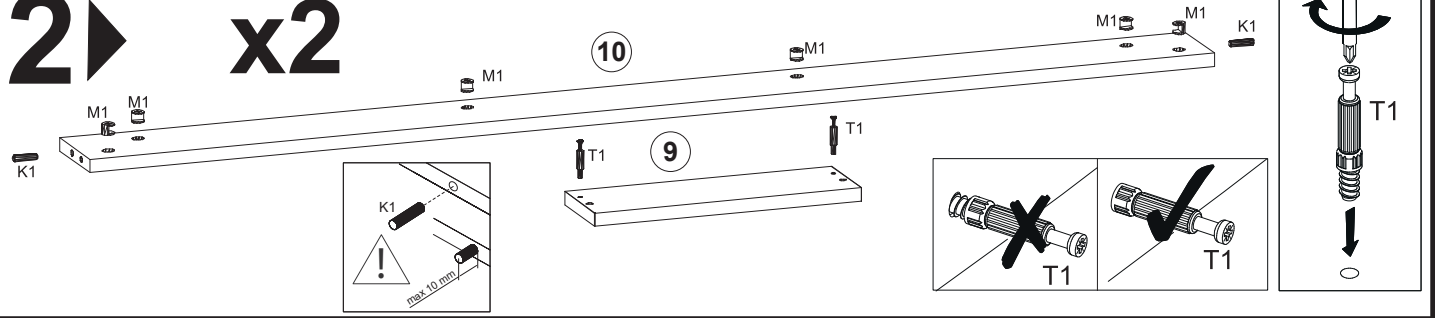
11▶



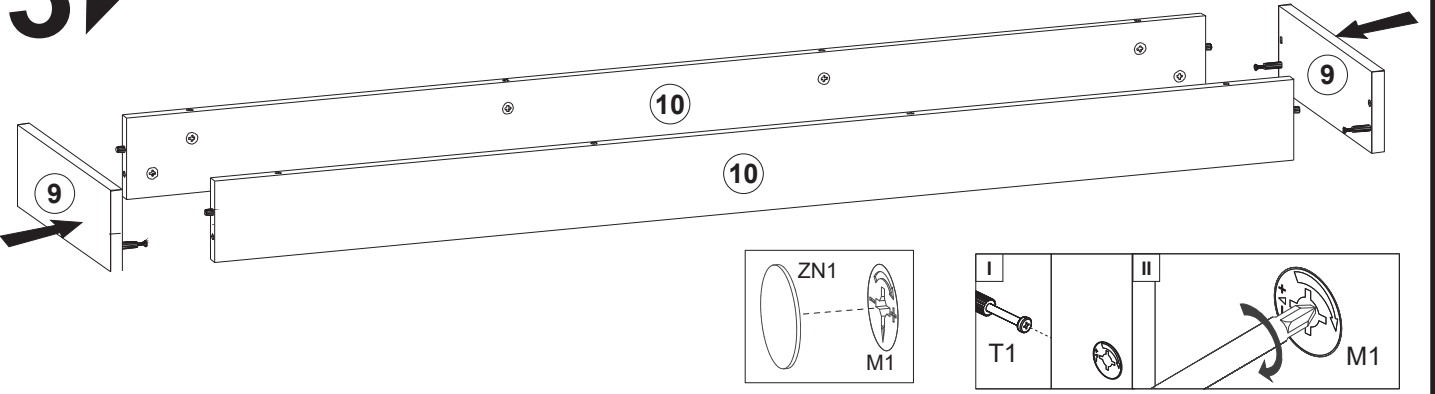


2 ▶

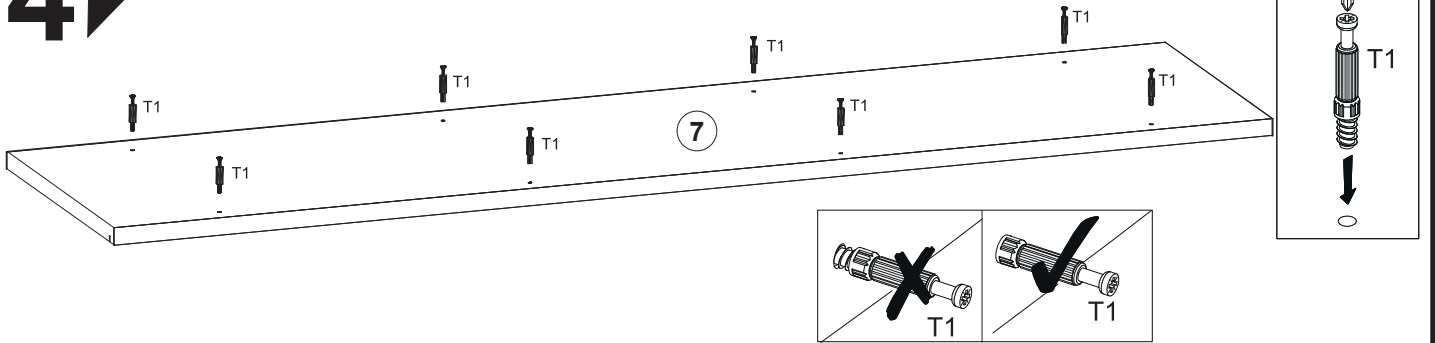
x2



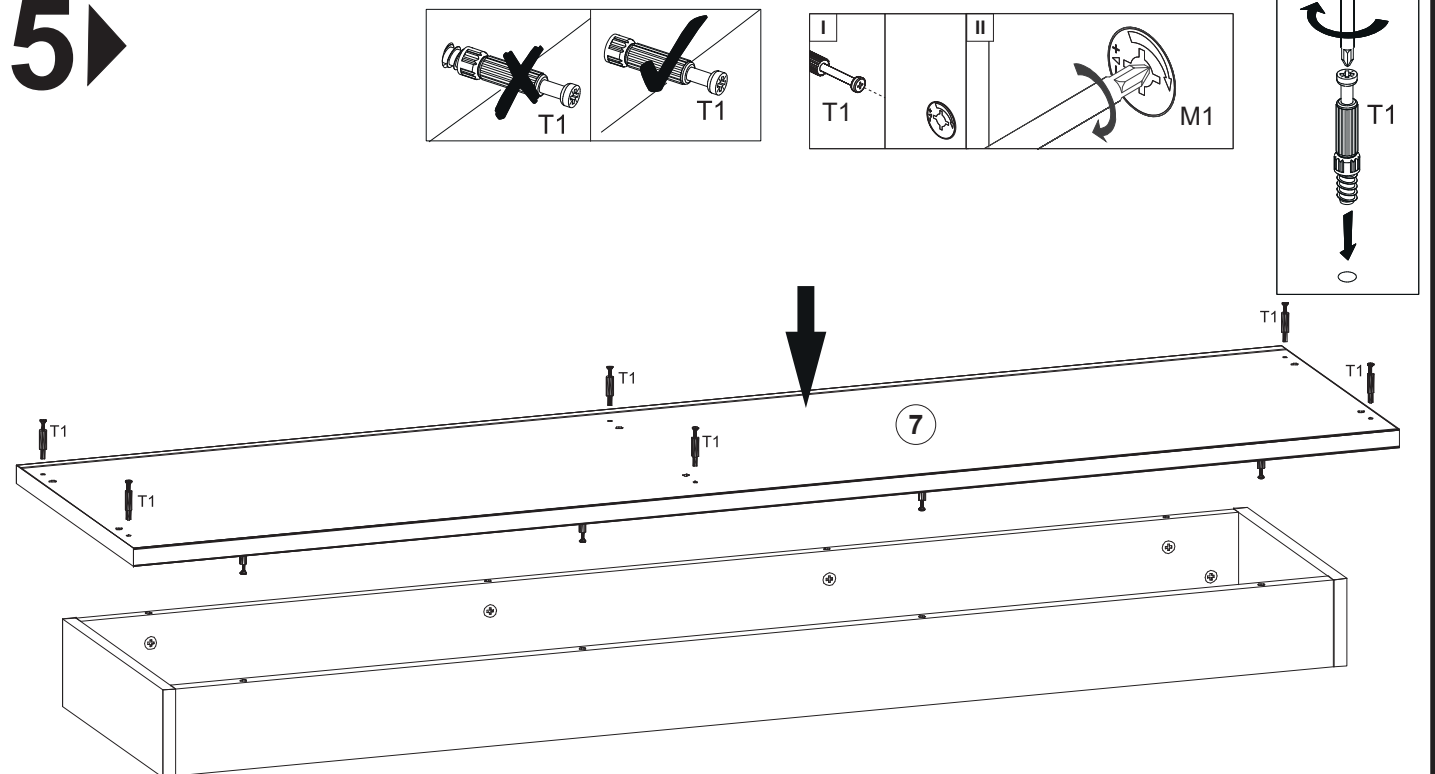
3 ▶



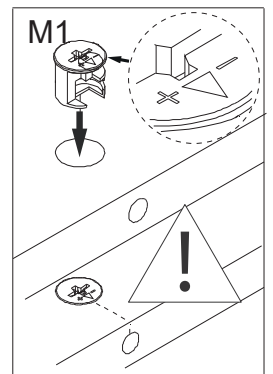
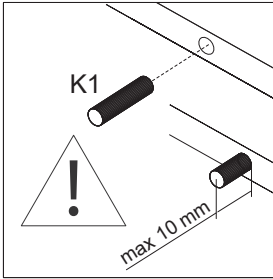
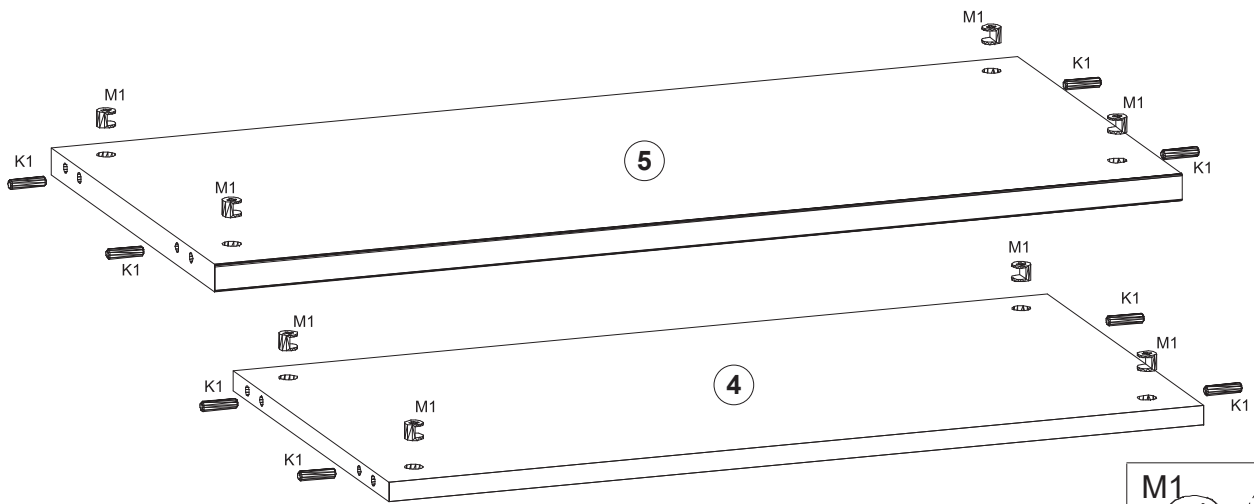
4 ▶



5 ▶



6



7

